

TE 680 3D FD

for rebated timber entrance doors



Product features

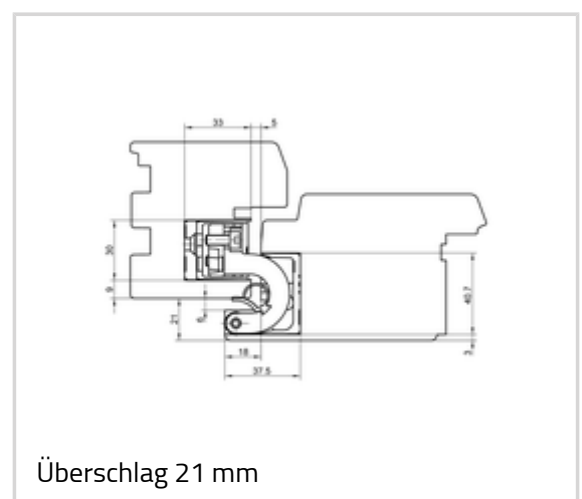
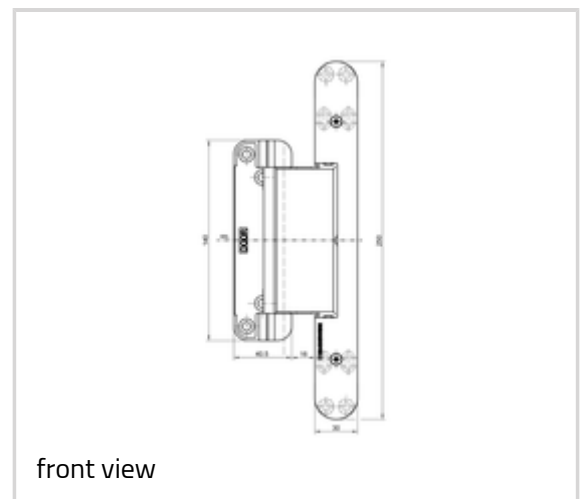
- concealed hinge system
- for rebated timber entrance doors
- sideways closed hinge body for a homogeneous mortise appearance
- with comfortable 3D adjustment (side +/- 3,0 mm, height +/- 3,0 mm, compression +/- 1,0 mm)
- completely continuous sealing system
- 18 mm overlap width
- maintenance-free slide bearings

Technical details

Attributes	Value
Overall length	160,0 mm
Width (door)	40,5 mm
Width (frame)	30,0 mm
Cutter diameter	20,0 mm

Note

The load capacity mentioned above refers to the use of 2 hinges per door leaf (1 x 2 m), for detailed information please look at the chapter "technical information".

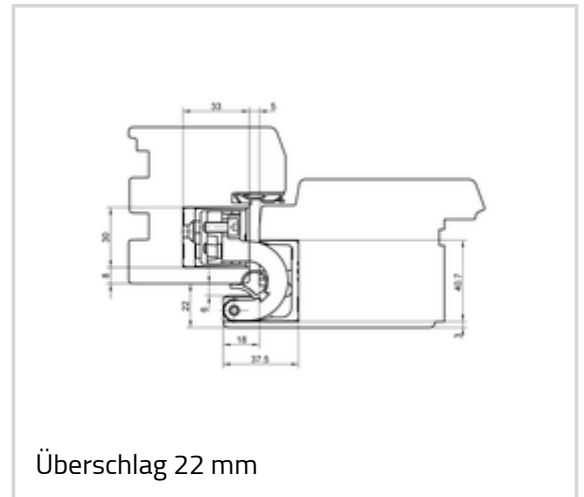


TECTUS - TE 680 3D FD

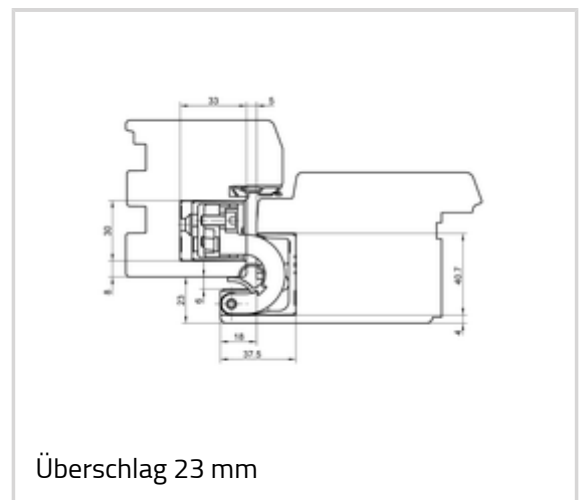
With an opening Position of 180° the door may have to be fixed additionally.

Item

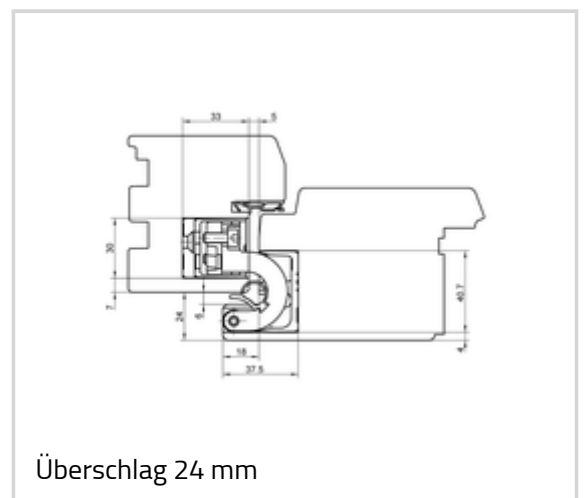
Finish(es)	124-Satin Chrome Look (F1)
OF-NR.	124
VPE	pack of 3
DIN	DIN right and left hand
Item No.	5 400685 0 12403
EAN	4015471125516



Überschlag 22 mm



Überschlag 23 mm



Überschlag 24 mm

